

© Robert Bosch GmbH. All rights reserved, also regarding any disposal, exploitation, reproduction, editing, distributing, as well as in the event of applications for industrial property rights.

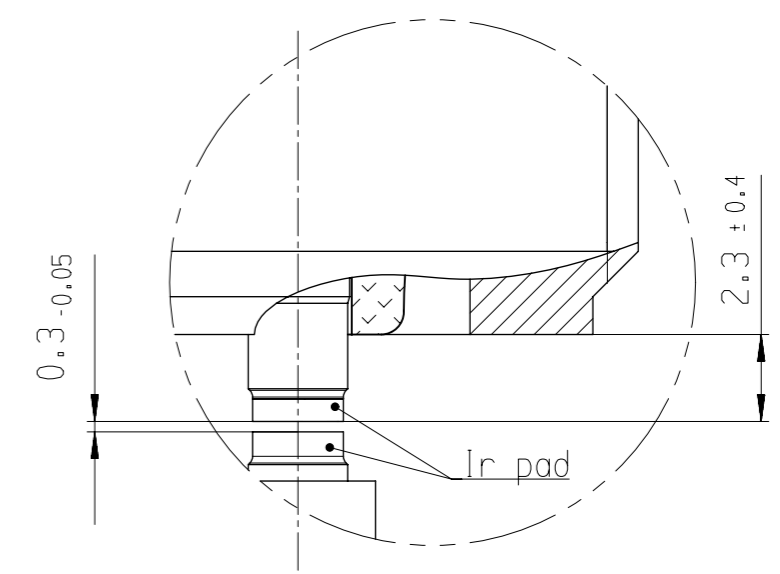
© Robert Bosch GmbH. All rights reserved, also regarding any disposal, exploitation, reproduction, editing, distributing, as well as in the event of applications for industrial property rights.

0 241 B7 4960	0 242 356 512	MR 3 DI1360
Draft drawing number Entwurfs-Zeichnung	Order number Bestell-Nummer	Type Typ

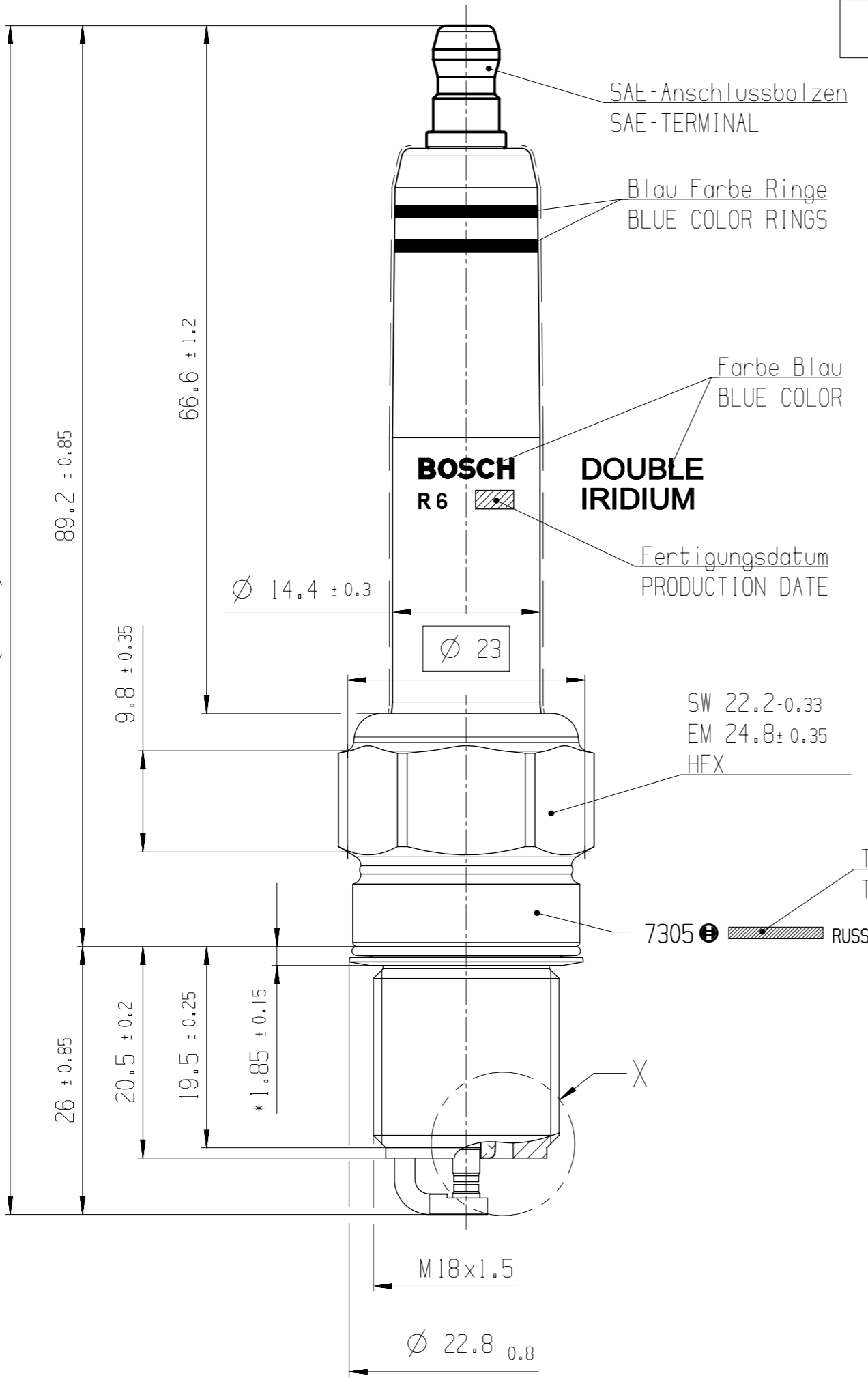
Widerstandswert R6: 6kOhm± 3kOhm  
RESISTOR VALUE R6: 6kOhm± 3kOhm

\* Dichtringdicke im Anlieferungszustand  
GASKET THICKNESS , NEW

X 5:1



(115.2)



□ = Messreferenzmass  
MEASURING REFERENCE  
( ) = Hilfsmasse  
AUXILIARY DIMENSIONS

general tolerances for/Allgemeintoleranzen fuer		
lin. dim./L-masse	radii/Radien	angles/Winkel
±, mm	±, mm	±, °

01 Initial	20170117	KDL3ENG	ODA2ENG	060M	AA-SP/ENG	
Ind. Change/Aend.	YYYYMMDD	Drawn/Gez.	Checked/Gepr.	Releas./Freig.	BWN	Resp. dept./Verantw. Abt.
Lang./Spr. en/de	Syst. UG	Wght./Gew.	SPARK PLUG ZUENDKERZE			Sheet/Bl. 1 / 1
Scale/M.stab 2:1	BOSCH		Doc. type AGZ	0 241 A7 4960	DP/TD 001	Ind. 01
MNR	OFFER DRAWING ANGEBOOTSZEICHN.		Repl. for	Repl. by	Format A3	