



Compressor Rod Drop Indicator

The Exline Compressor Rod Drop Indicator is installed directly beneath the compressor rod to detect wear.

If wear occurs on the piston, piston riders or cylinders, the compressor rod drops and makes contact with the indicator. This contact creates a friction temperature which melts the fuse-metal plug in the device. A pressure drop in the pneumatic control system results. This pressure drop can be used to shut down the equipment or sound an alarm. A flat end indicator can be used to detect excessive end play in rotating equipment.

- Total Reliability
- No Maintenance
- No Calibration
- No Deterioration
- Wide Range of Temperatures
- Reusable
- Device can be reloaded quickly and easily at our factory

Details of Installation

Compressor Rod Drop Indicator:

Using the packing case nuts as mounting points, a bracket can be fabricated to support the CRD directly under the compressor rod. Two holes are drilled and tapped in the surface of the bracket to attach the device. A shim stock (for example .010) is inserted between the surface of the compressor rod and curved surface of the device. The device is positioned firmly against the shim stock and bolts are tightened. This permanently positions the CRD in place. The shim is removed and the device is piped to the control header. The flat end device can be used to detect excessive end play in rotating equipment.

Vented Compressor Rod Drop Indicator:

Install as described above. Tube supply "SUP" side to air header. Tube vent side "VENT" to atmosphere or appropriate area.

Standard Sizes in Stock

Rod Diameter	Part No.	Vented CRD
Flat end	300500	350396
1.5"	300503	350535
2"	300504	350388
2.5"	300505	350536
3"	300506	350387
3.5"	300507	350355
4"	300508	350254
4.5"	300509	350272
5"	300510	350389
5.5"	300511	350538

Special sizes available. Allow for additional delivery time.

Available Fuse-Metal

Melting Temps

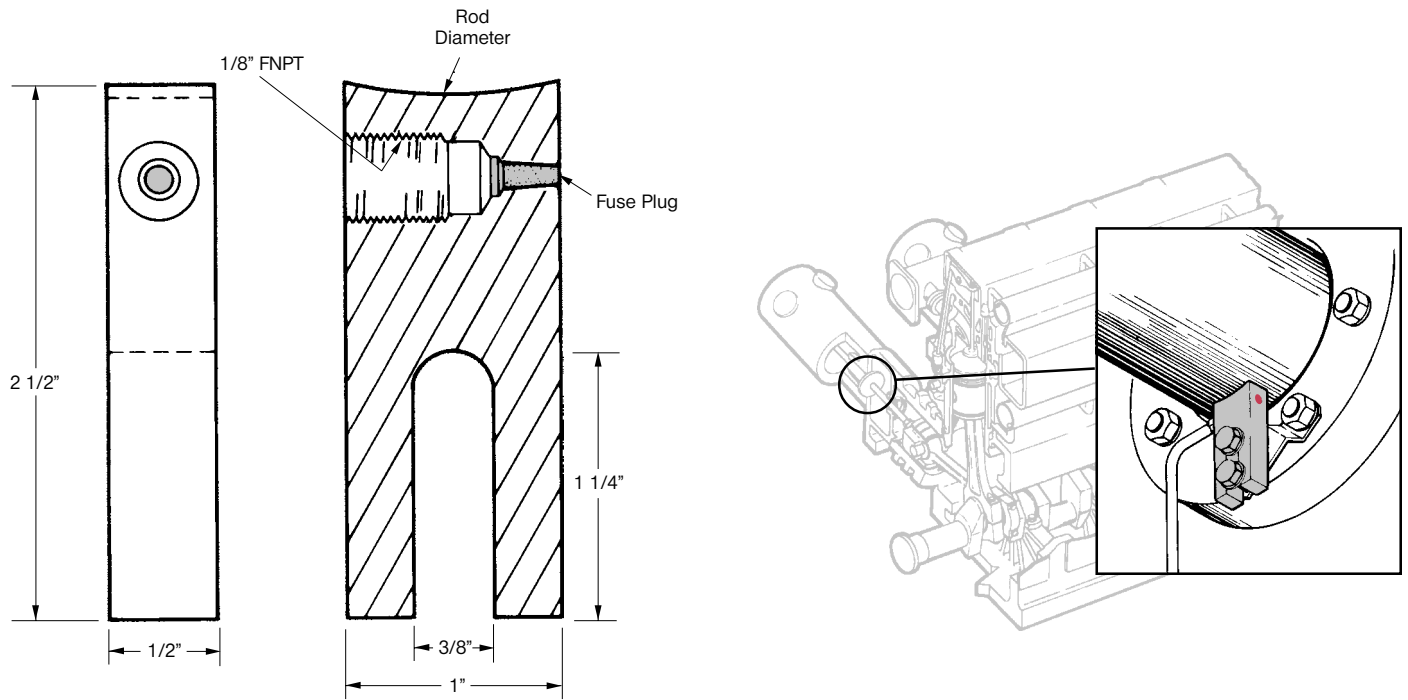
117°F	162°F	217°F	281°F	361°F
136°F	178°F	228°F	291°F	374°F
142°F	198°F	243°F	310°F	390°F
150°F	205°F	255°F	349°F	

How to Order

Determine rod diameter and temperature desired
Show part # and temperature.

Example: 3" Dia. Rod - 178°F
#300506 - 178°F

Compressor Rod Drop Indicator



Vented Compressor Rod Drop Indicator

